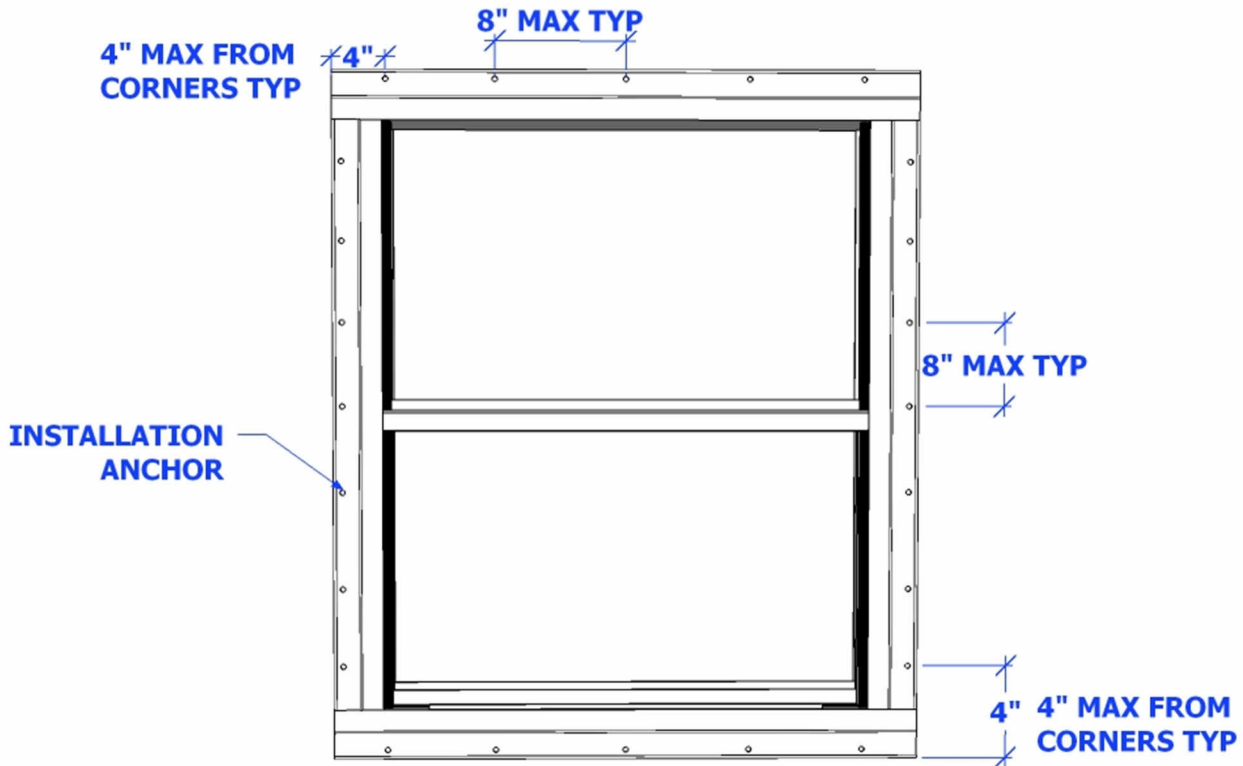
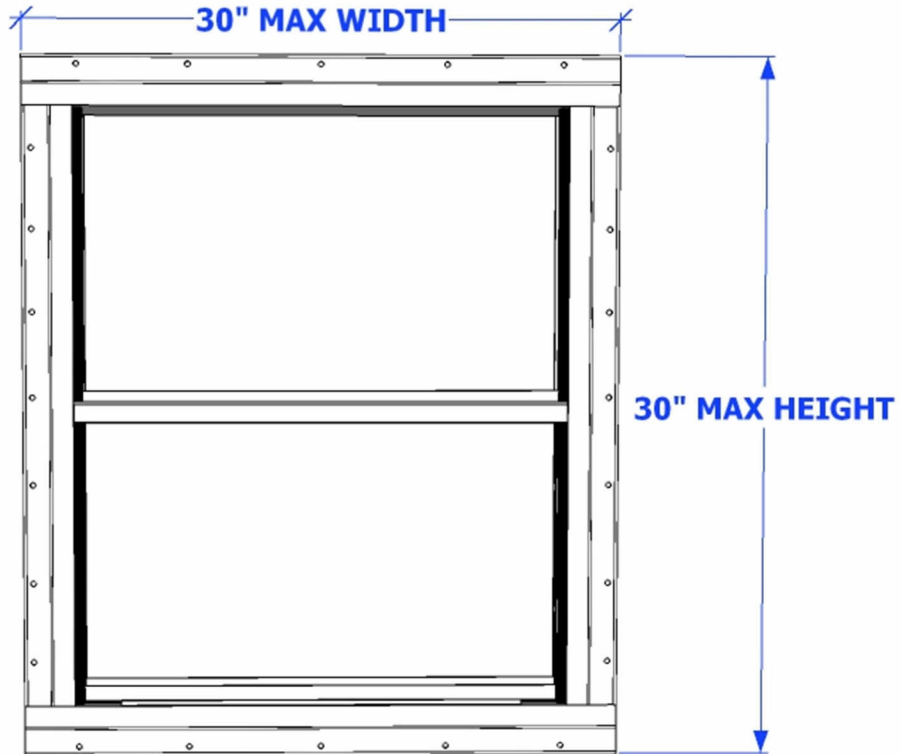


**INSTALLATION METHOD
ALUMINUM NON-INSULATED
ELEVATION & ANCHOR LAYOUT**



SCALE: NTS
ALL DIMENSIONS: +/- 1/8"

DWN BY: AMM

CHK BY: KEA

DATE: 10/13/15

TITLE:
INSTALLATION METHOD
ALUMINUM NON-INSULATED
ELEVATION & ANCHOR LAYOUT

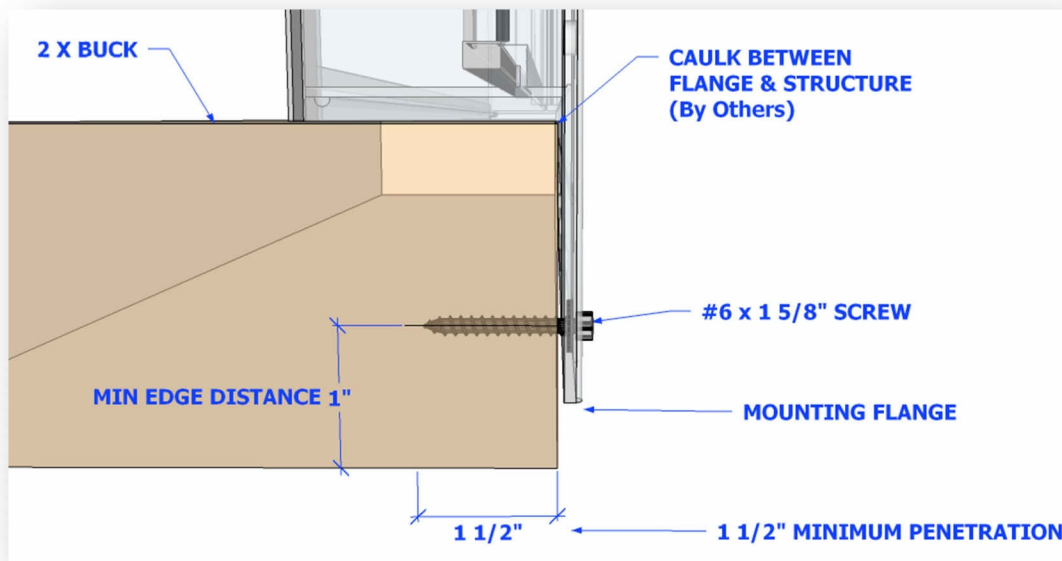
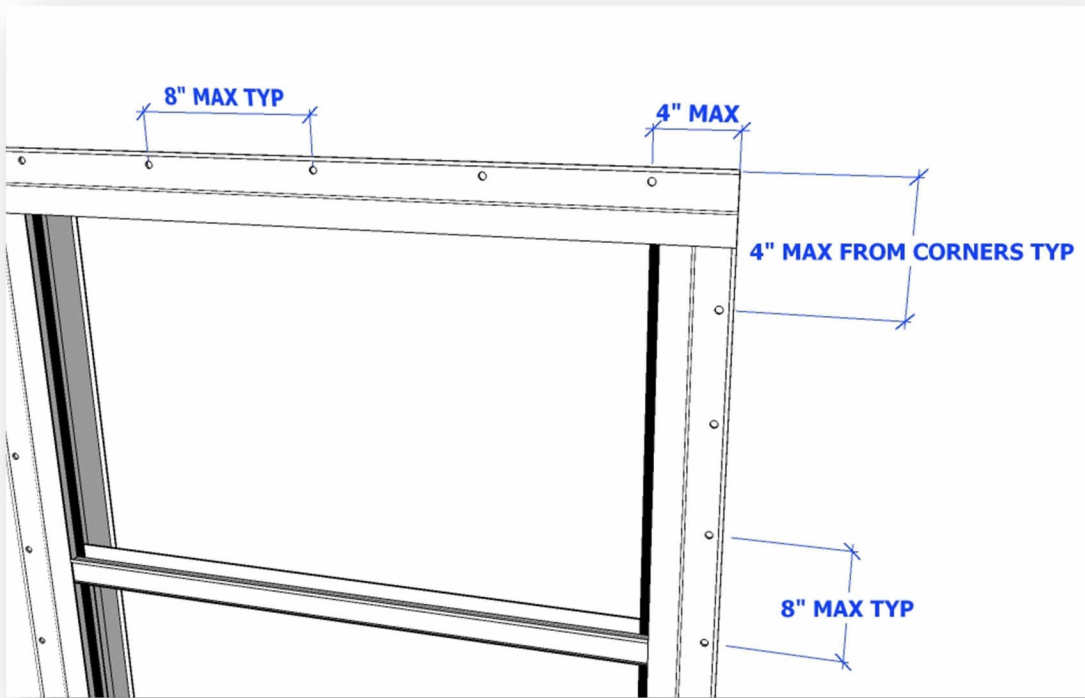
PREPARED BY:
POCAHONTAS ALUMINUM COMPANY, INC.
2001 INDUSTRIAL DRIVE
POCAHONTAS, AR 72455
PH: 870-892-3689 FAX: 870-892-9858

REVISIONS			
NO.	DESCRIPTION	BY	DATE

COPYING OR
DUPLICATION IS
PROHIBITED WITHOUT
WRITTEN PERMISSION
FROM POCAHONTAS
ALUMINUM
COMPANY, INC.



**INSTALLATION METHOD
ALUMINUM NON-INSULATED
ELEVATION & ANCHOR LAYOUT**



SCALE: NTS
DIMENSIONS: +/- 1/4"
DWN BY: AMM
CHK BY: KEA
DATE: 10/13/15

TITLE:
INSTALLATION METHOD
ALUMINUM NON-INSULATED
ELEVATION & ANCHOR LAYOUT

PREPARED BY:
POCAHONTAS ALUMINUM COMPANY, INC.
2001 INDUSTRIAL DRIVE
POCAHONTAS, AR 72455
PH: 870-892-3689 FAX: 870-892-9858

REVISIONS			
NO.	DESCRIPTION	BY	DATE

COPYING OR
DUPLICATION IS
PROHIBITED WITHOUT
WRITTEN PERMISSION
FROM POCAHONTAS
ALUMINUM
COMPANY, INC.

